

080-5600 Compression Hook Latch



080-5600 过中心压缩式钩锁



This simple lever operated compression hook latch provides a secure over-center action and the spring loaded eye-hook incorporates tension to keep panels rattle free and secure. Designed for applications where the latch and keeper are surface mounted on the same plane, folding the robust lever down pulls mating in-line panels tight.

这种简单的杠杆操作式压缩钩锁提供了可靠的偏心作用，弹簧加载的眼钩具有张力，可保持面板自由且牢固地发出嘎嘎声。专为将锁和定位器表面安装在同一平面上的应用而设计，将坚固的杠杆向下折叠可将匹配的嵌入式面板拉紧。

DESIGNED FOR:

- Medium to heavy-duty off-highway panel and compartments where pull-in function and resistance to vibration is desired.

设计用于:

- 中型到重型非公路用面板和需要拉入功能并耐振动的车厢。

FEATURES/BENEFITS:

- Robust construction: welded steel housing and mounting base
- Easy to operate (ergonomics), folding the robust lever down pulls mating in-line panels tight.
- The KeyOne™ Plus locking system allows the operation of multiple onboard locking hardware with a single key, the option to key differently or provided non-locking
- Universal design is non-handed
- Enclosed latching rod/spring retainer reduces flex and failure



特点与优势:

- 坚固的结构：焊接钢外壳和安装基座
- 易于操作（人体工程学），向下折叠坚固的控制杆，将配对的嵌入式面板拉紧。
- KeyOne™ Plus 锁定系统允许通过单个钥匙操作多个板载锁定硬件，可以选择不同的钥匙或提供非锁定
- 通用设计是非手工的
- 封闭的锁杆/弹簧固定器减少了弯曲和故障

Global Locations:

TriMark Corporation
500 Bailey Avenue
P.O. Box 350
New Hampton, Iowa 50659
United States
Tel: 641-394-3188
Fax: 641-394-2392
1-800-447-0343
www.trimarkcorp.com

TriMark Europe
Cedar Court
Walker road
Bardon Hill
Coalville LE67 1TU
United Kingdom
Tel: +44(0)1530 512460
Fax: +44(0)1530 512461
www.trimarkeu.com

TriMark (Xuzhou)
Building A5 Jingwu Road
Xuzhou Economic
Development Zone
Xuzhou, Jiangsu
221004 PR China
Tel: +86 516 8773 0018
Fax: +86 516 8773 0058
www.trimarkcn.com



TriMark. Interactive. Product. Selector



TriMark



TriMark Corporation



TriMark Corporation

INSTALLATION:

- Installs easily with (2) M8 mounting fasteners (not included)
- Mounting base is slotted for installation alignment

安装：

- 轻松安装（2）个M8安装紧固件（不包括在内）
- 安装底座开槽用于安装对准

MATERIAL:

- Handle: Sturdy die cast zinc alloy
- Mounting base/shell, hook: Low carbon steel

材料：

- 手柄：坚固的锌合金压铸件
- 安装基座/外壳，挂钩：低碳钢

FINISH:

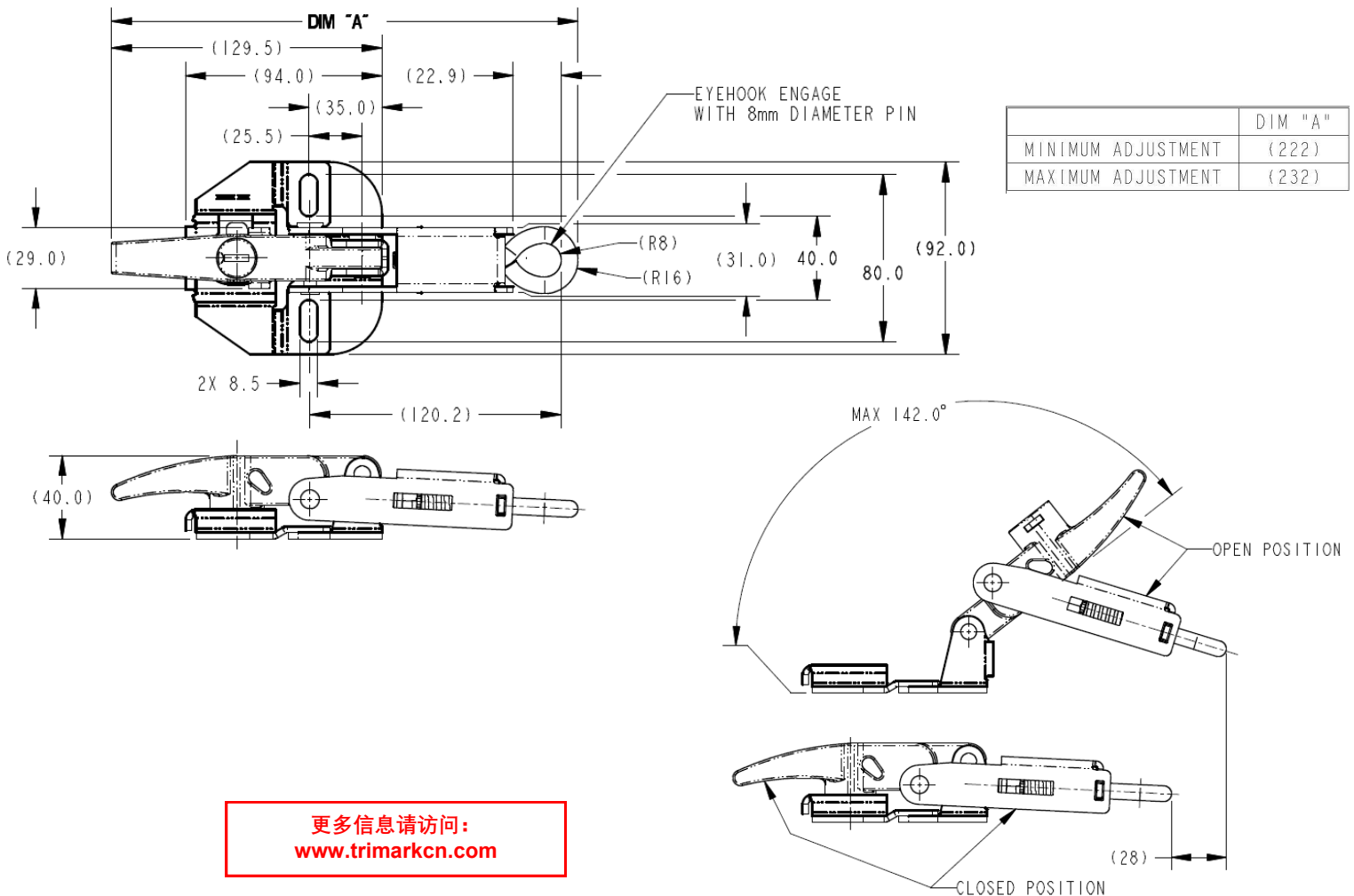
- Galvanized, chromated

表面处理：

- 镀锌、铬酸盐

Individual part dimensions are for reference only. Refer to individual part drawings for complete dimensions, specifications, and installation procedures. Engineering assistance and application drawings are available.

各个零件的尺寸仅供参考。有关完整的尺寸，规格和安装步骤，请参阅各个零件图。提供工程协助和应用图纸。



更多信息请访问：
www.trimarkcn.com